



HALDEX

Modul T

Modul X 1 and 2 series

Mark II, III, IV

All Original Numbers, Marks and Models from
Vehicle Manufacturers Listed in this catalogue
are for comparison purposes only



www.brakingtech.com



Replace Pin Bushes Without Any Damage

BTA81K001

Description :

Replacement Tools For All

Application :

Useful for all Knorr,Wabco,Haldex,Meritor Variants

OEM No :

ZB9032, I132203, Z004190, Z004361, Z003934, K016743, K015825, Z004354, Z004198, K005986, 02.0130.42.00, 02.0130.39.00, 02.0130.62.00, 02.0130.66.00, 02.0130.57.00, 02.0130.65.00, 02.0130.40.00, 02.0130.63.00, 02.0130.41.00, 02.0130.59.00, 02.0130.58.00, K039062K50, BTA81K001, K158880K50, K037001, I137951004, 4006083750, 640 195 522 2, 640 322 522 2, 300 100 014 2, 791-95231, 81922, P/N 81921, 81920, 89778, 89652, 89936, 81918, K028829



BTA81S001

Description :

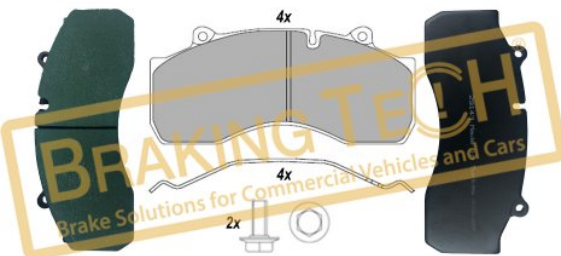
Caliper Nut Spanner

Application :

SBS2220,(MODUL T,JOST Type)96546-1816200028

OEM No :

BT only



BTF5552020

Description :

Brake Pad Haldex

No	BT No	Information
1	BTF5552020 x	Brake Pad 248 x 105 x 30

Application :

SAF, GIGANT, SAE, For Caliper: HALDEX DB22

Weight: 10,60

OEM No :

3 057 3179 00, M910027-04, 09291063

WVA :

29143, 29176, 29185, 29120



BTF5552055

Description :

Brake Pad Haldex

No	BT No	Information
1	BTF5552055 x	Brake Pad 210 x 93,8 x 30

Application :

SMB, SAF, For Caliper: HALDEX DB22LT GEN1

Weight: 8,60

OEM No :

09291072, 3057009600, 640001002, 3057009601, 550017646, 716030001, JAE0250410020

WVA :

29195, 29175



BTG01001

Description :

Grease Oil(White)

Application : :

Content is 5gr.For metal&rubber items in Airbrake system

OEM No :

1114525, 1132868, K93430, 1132793, S-29152-12



BTH90001

Description :

Caliper Bridge Assembly Repair Kit

Application : :

MODUL X-GEN 1 Type

OEM No :

4203 89611

No	BT No	Information
1	BTT298 x1	Bridge
2	BTY31 x1	Spring
3	BTS46 x1	Washer
4	BTS76 x1	Circlip
5	BTS166 x1	Wavy Washer



BTH90002

Description :

Caliper Push Plate

Application : :

MODUL X-GEN 1 Type

OEM No :

BrakingTech

No	BT No	Information
1	BTT299 x1	Push Plate



BTH90003

Description :

Caliper Mechanism,Piston & Cover Kit

Application : :

RENAULT Midlum 220

OEM No :

976100, 89753

No	BT No	Information
1	BTT300 x1	Mechanism, Piston & Cover ...
2	BTT311 x1	Adjusting Bolt
3	BTP52 x1	Plug
4	BTC67 x4	Screw M8x 30 mm



BTH90004

Description :
 Caliper Adjustment Sleeve (Driven)

Application :
 MODUL X-GEN 1 Type

OEM No :
 SerinFren

No	BT No	Information
1	BTT301 x1	Adjustment with washer (D ...



BTH90005

Description :
 Caliper Lever Pin

Application :
 MODUL X-GEN 1 Type

OEM No :
 BrakingTech

No	BT No	Information
1	BTT302 x1	Lever Pin



BTH90006

Description :
 Caliper Mechanism Clamp

Application :
 MODUL X-GEN 1 Type

OEM No :
 BrakingTech

No	BT No	Information
1	BTS120 x1	Mechanism Clamp



BTH90007

Description :
 Caliper Mechanism, Piston & Cover Kit

Application :
 MARK II-III (2-3) Type

OEM No :
 BrakingTech

No	BT No	Information
1	BTT304 x1	Mechanism, Piston & Cover ...
2	BTC61 x 4	Screw
3	BTC62 x 4	Bolt Nut
4	BTP52 x 2	Plug



BTH90008

Description :
 Caliper Mechanism Gear (Right)

Application :
 MARK II-III (2-3) Type

OEM No :
 BrakingTech

No	BT No	Information
1	BTT305 x 1	Mechanism Gear



BTH90009

Description :
 Caliper Mechanism Gear (Left)

Application :
 MARK II-III (2-3) Type

OEM No :
 BrakingTech

No	BT No	Information
1	BTT306 x 1	Mechanism Gear



BTH90010

Description :
 Caliper Mechanism Metal Top Cover Kit

Application :
 MARK II-III (2-3) Type

OEM No :
 BrakingTech

No	BT No	Information
1	BTT307 x 1	Metal Top Cover
2	BTP49 x 2	Plug



BTH90011

Description :
 Caliper Tappet Repair Kit

Application :
 MARK II-III (2-3) Type

OEM No :
 BrakingTech

No	BT No	Information
1	BTT308 x 2	Tappet
2	BTSK11 x 2	Snap Ring



BTH90012

Description :
 Caliper Lever

Application : :
 MARK II-III (2-3) Type

OEM No :
 BrakingTech

No	BT No	Information
1	BTT309 x1	Lever



BTH90013

Description :
 Caliper Bearing Kit

Application : :
 MARK II-III (2-3) Type

OEM No :
 BrakingTech

No	BT No	Information
1	BTR30 x 2	Bearing Kit



BTH90014

Description :
 Caliper Spring Set

Application : :
 MARK II-III (2-3) Type

OEM No :
 94665

No	BT No	Information
1	BTY32 x 2	Spring



BTH90015

Description :
 Caliper Mechanism Metal Top Cover Kit

Application : :
 MARK IV (4) Type

OEM No :
 BrakingTech

No	BT No	Information
1	BTT310 x1	Metal Tap Cover
2	BTT311 x 2	Adjusting Bolt
3	BTP49 x 2	Bolt Seal Plug



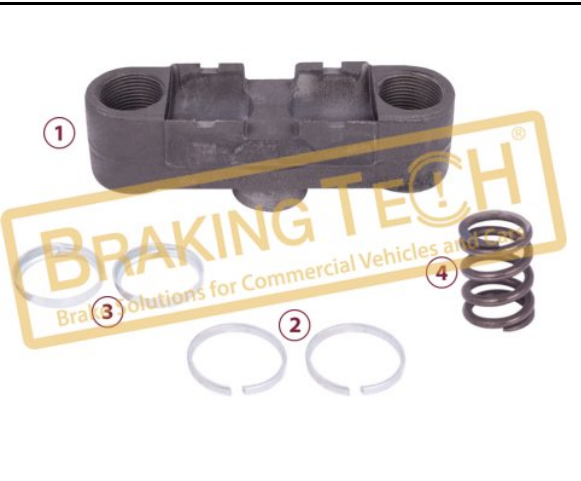
BTH90016

Description :
 Caliper Mechanism,Piston&Cover Kit

Application :
 MARK IV (4) Type

OEM No :
 BrakingTech

No	BT No	Information
1	BTT312 x 1	Mechanism, Piston & Cover ...
2	BTC63 x 4	Screw



BTH90017

Description :
 Caliper Bridge and Repair Kit

Application :
 MARK II-III (2-3) Type

OEM No :
 BrakingTech

No	BT No	Information
1	BTT313 x 1	Bridge Assembly
2	BTS97 x 2	Circlip Ø35 x 4mm
3	BTS79 x 2	Circlip Ø39 x 6,5mm
4	BTY33 x 1	Spring



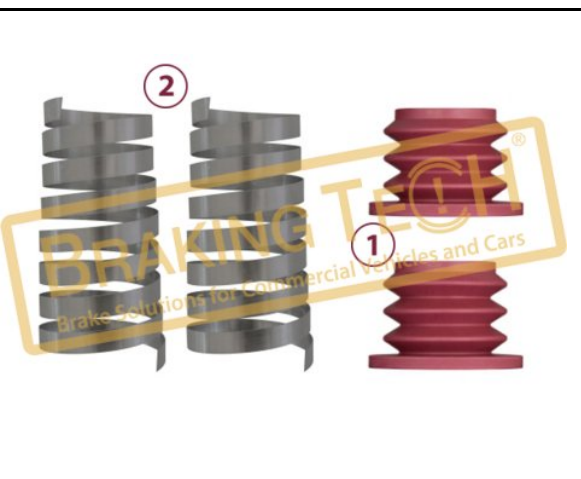
BTH90018

Description :
 Caliper Circlip Kit

Application :
 MARK II-III (2-3) Type

OEM No :
 BrakingTech

No	BT No	Information
1	BTS97 x 6	Circlip Ø35 x 4mm
2	BTS79 x 6	Circlip Ø39 x 6,5mm



BTH90019

Description :
 Caliper Dust Cover&Spring Repair Kit

Application :
 MARK II-III (2-3) Type

OEM No :
 BrakingTech

No	BT No	Information
1	BTK112 x 2	Tappet Dust Cover 78,5mm
2	BTY32 x 2	Protection Spring



BTH90020

Description :
 Caliper Cover Repair Kit

Application :
 MARK II-III (2-3) Type

OEM No :
 BrakingTech

No	BT No	Information
1	BTT314 x 1	Cover
2	BTC64 x 4	Screw M8 x 60mm
3	BTC94 x 4	Nut



BTH90021

Description :
 Caliper Mechanism Shaft

Application :
 MARK II-III (2-3) Type

OEM No :
 BrakingTech

No	BT No	Information
1	BTT315 x 1	Mechanism
2	BTC65 x 2	Screw Set



BTH90022

Description :
 Caliper Guide&Seals Repair Kit

Application :
 MARK II-III (2-3) Type

OEM No :
 87406, 94661, 3.434.3858.00, 5021.174.076,
 5021.174.162, 3434385800, 5021174162, Fruehauf
 CF103857, SAF 3434320300, 3434385400, SMB
 M91002601

No	BT No	Information
1	BTT316 x 4	Guide Pin Ø35 x 70mm
2	BTC66 x 4	Guide Pin Bolt M14 x 2mm ...
3	BTK113 x 8	Guide Pin Dust Cover
4	BTS80 x 8	Dust Cover Excluder Ø39, ...
5	BTB27 x 4	Guide Pin Bush(NeW)
6	BTS81 x 4	Steel Cover Ø56 x 12mm
7	BTP52 x 2	Plastic Plug



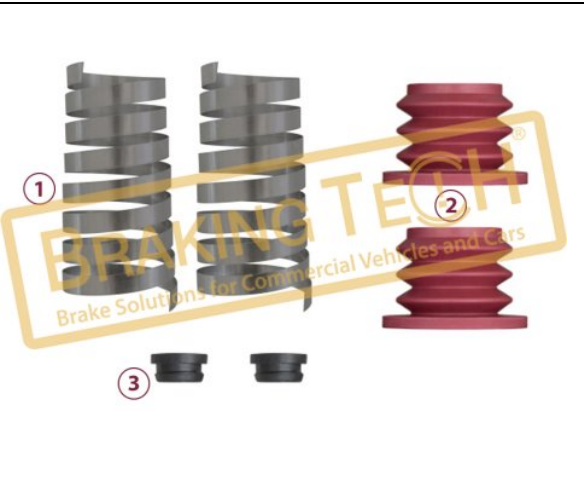
BTH90023

Description :
 Caliper Calibration Bolt Kit (Piston)

Application :
 MARK II-III (2-3) Type

OEM No :
 CHSK.13

No	BT No	Information
1	BTT317 x 1	Calibration Bolt (Right)
2	BTT318 x 1	Calibration Bolt(Left)



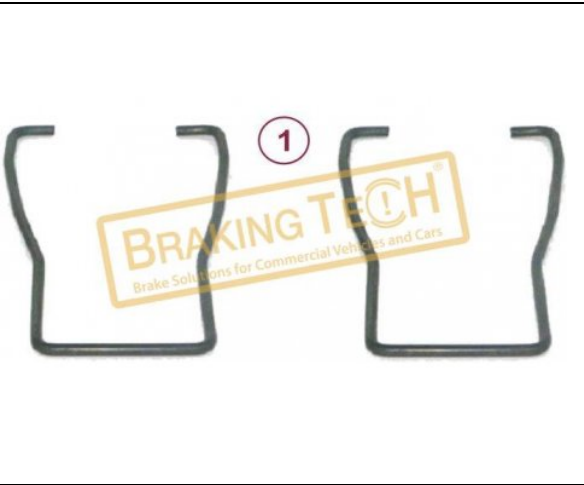
BTH90024

Description :
 Caliper Dust Rubber & Spring Repair Kit

Application :
 MARK II-III (2-3) Type

OEM No :
 87405, SAF 3434320200, 3434385200, SMB M91002501

No	BT No	Information
1	BTY32 x 2	Protection Spring
2	BTK112 x 2	Tappet Dust Cover 78.5 mm
3	BTP52 x 2	Plastic Plug



BTH90025

Description :
 Caliper Mechanism Clamp

Application :
 MARK II-III (2-3) Type

OEM No :
 BrakingTech

No	BT No	Information
1	BTT319 x 2	Mechanism Clamp



BTH90026

Description :
 Caliper Dust Covers & Seals Repair Kit

Application :
 MODUL X-GEN 2 Type

OEM No :
 SerinFren

No	BT No	Information
1	BTK113 x 8	Guide Pin Dust Cover
2	BTP52 x 1	Plug
3	BTK118 x 2	Tappet Dust Cover (67 mm)



BTH90027

Description :
 Caliper Mechanism Complete Set

Application :
 MODUL X-GEN 2 Type

OEM No :
 BrakingTech

No	BT No	Information
1	BTT320 x 1	Mechanism, Piston & Cover ...
2	BTC67 x 4	Screw Set
3	BTT311 x 1	Adjusting Bolt
4	BTP52 x 1	Plug
5	BTP49 x 1	Adjusting Bolt Seal 12x22 ...



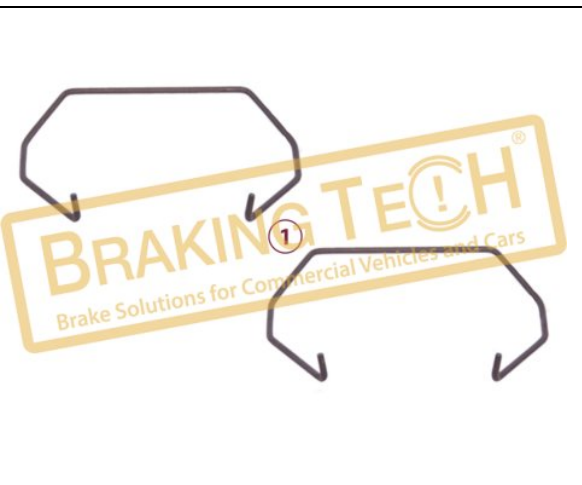
BTH90028

Description :
Caliper Cover

Application :
MARK IV (4) Type, Modul X-GEN 1 Type

OEM No :
BrakingTech

No	BT No	Information
1	BTT321 x 1	Cover
2	BTC68 x 4	Screw M8x1.25x30mm



BTH90029

Description :
Caliper Mechanism Clamp

Application :
MARK IV (4) Type

OEM No :
BrakingTech

No	BT No	Information
1	BTT322 x 2	Mechanism Clamp



BTH90030

Description :
Caliper Lever Pin

Application :
MODUL X-GEN 2 Type

OEM No :
SerinFren

No	BT No	Information
1	BTT323 x 1	Pin



BTH90031

Description :
Caliper Adjusting Mechanism

Application :
MARK IV (4) Type

OEM No :
SerinFren

No	BT No	Information
1	BTT324 x 1	Mechanism
2	BTSK82 x 1	Circlip



BTH90032

Description :

Caliper Lever

No	BT No	Information
1	BTT325 x1	Lever

Application : :

MARK IV (4) Type

OEM No :

BrakingTech



BTH90033

Description :

Caliper Lever

No	BT No	Information
1	BTT328 x1	Lever

Application : :

SAF Axle,DANA Axle,GIGANT Axle,VOLVO,RENAULT

OEM No :

CHSK.9



BTH90034

Description :

Caliper Guide&Seals Repair Kit

No	BT No	Information
1	BTT331 x 4	Guide Pin Ø35 x 64mm
2	BTC73 x 4	Guide Pin Bolt M14 x 2 x ...
3	BTK113 x 6	Guide Pin Dust Cover
4	BTB27 x 4	Guide Pin Bush(NeW)
5	BTS83 x 2	Steel Cap Ø42 x 22,5mm
6	BTS81-01 x 4	Steel Cap Ø56 x 12,5mm
7	BTP52 x 1	Plug

Application : :

MODUL X

OEM No :

93299, Fruehauf CF104412, SAF 3434385402, SMB M91002603



BTH90035

Description :

Caliper Guide&Seals Repair Kit

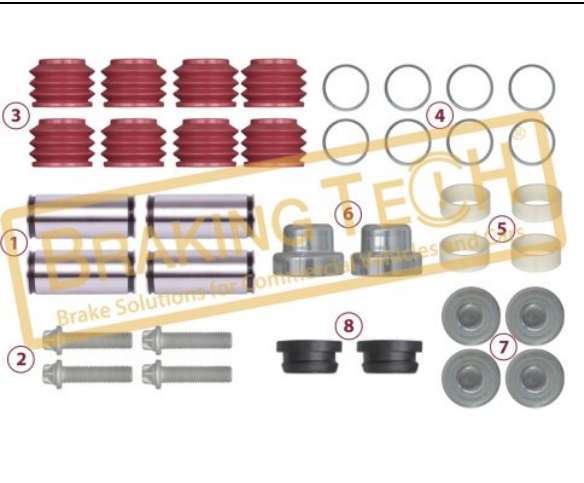
No	BT No	Information
1	BTT326 x 4	Guide Pin Ø35 x 64mm
2	BTC69 x 4	Guide Pin Bolt M14 x 2 x 4 ...
3	BTK113 x 6	Guide Pin Dust Cover
4	BTB27 x 4	Guide Pin Bush(NeW)
5	BTS83 x 2	Steel Cap Ø42 x 22,5mm
6	BTS81-01 x 4	Steel Cap Ø56 x 12,5mm
7	BTP52 x 1	Plug

Application : :

MARK IV (4) Type,DB22

OEM No :

91012



BTH90036

Description :
 Caliper Repair Kit

Application :
 MARK IV (4) Type

OEM No :
 89541, SMB M91002602, Fruehauf CF104124

No	BT No	Information
1	BTT327 x 4	Guide Pin Ø35 x 70mm
2	BTC70 x 4	Guide Pin Bolt M14 x2 x 5 ...
3	BTK113 x 8	Guide Pin Dust Cover
4	BTS80 x 8	Dust Cover Retainer Ø39, ...
5	BTB27 x 4	Guide Pin Bush(New)
6	BTS86 x 2	Steel Cap Ø57,5 x 40,5mm
7	BTS81-01 x 4	Steel Cap Ø56 x 12,5mm
8	BTP52 x 2	Plug



BTH90037

Description :
 Caliper Adjuster Bolts Seals Repair Kit

Application :
 MARK IV (4) Type, ModulX, DB22LT

OEM No :
 87833, 90693, 89926, 89925, SAF 3434385502, 3434385501, SMB M91005701, M91005702, M91006401, S-30560-13

No	BT No	Information
1	BTP49 x 2	Adjusting Bolt Seal 12x22 ...
2	BTT311 x 2	Adjusting Bolt
3	BTP52 x 2	Plug



BTH90038

Description :
 Caliper Adjustment Sleeve (Driving)

Application :
 MARK IV (4) Type

OEM No :
 BrakingTech

No	BT No	Information
1	BTT329 x1	Adjustment Sleeve



BTH90039

Description :
 Caliper Adjustment Sleeve (Driven)

Application :
 MARK IV (4) Type

OEM No :
 BrakingTech

No	BT No	Information
1	BTT330 x1	Adjustment Sleeve



BTH90040

Description :
 Caliper Mechanism Clamp

Application :
 VOLVO,RENAULT,GIGANT Axle,SMB Axle

OEM No :
 BrakingTech

No	BT No	Information
1	BTS121 x 1	Mechanism Clamp



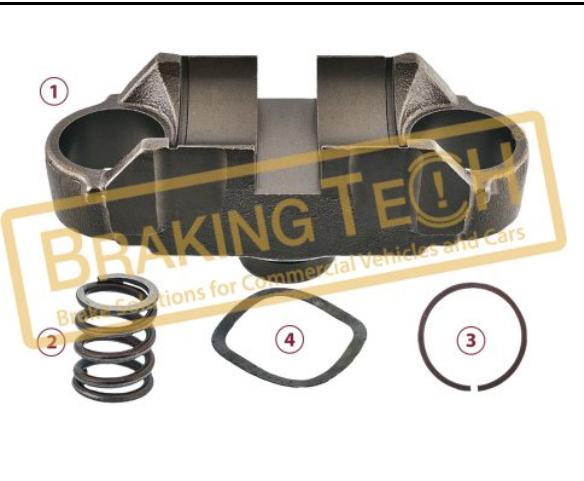
BTH90041

Description :
 Caliper Mechanism Clamp

Application :
 MODUL X-GEN 2 Type

OEM No :
 SerinFren

No	BT No	Information
1	BTS122 x 1	Shield Plate



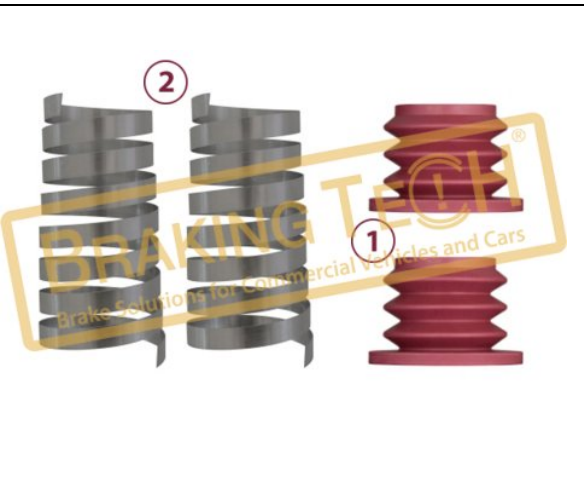
BTH90042

Description :
 Caliper Bridge Mechanism Shield Plate

Application :
 SMB Axle,DANA Axle,GIGANT Axle,VOLVO,RENAULT

OEM No :
 BrakingTech

No	BT No	Information
1	BTT334 x 1	Bridge Assembly
2	BTY34 x 1	Spring
3	BTS100 x 1	Circlips
4	BTS88 x 1	Washer



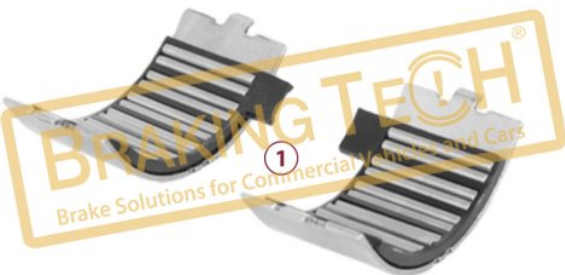
BTH90043

Description :
 Caliper Dust Cover&Spring Repair Kit

Application :
 MODUL X-GEN 2 Type

OEM No :
 89794, 94662, 91011, SAF 3434385202, SMB M91002503, Fruehauf CF104411

No	BT No	Information
1	BTK118 x 2	Tappet Dust Cover 67mm
2	BTY35 x 2	Protection Spring



BTH90044

Description :
Caliper Roller Bearing Kit

No	BT No	Information
1	BTR31 x 2	Roller Bearing

Application :
SAF Axle,DANA Axle,GIGANT
Axle,VOLVO,RENAULT

OEM No :
BrakingTech



BTH90045

Description :
Caliper Roller Bearing Kit

No	BT No	Information
1	BTR32 x 2	Roller Bearing Kit

Application :
SAF Axle,DANA Axle,GIGANT
Axle,VOLVO,RENAULT

OEM No :
BrakingTech



BTH90046

Description :
Caliper Adjuster, Plug Kit

No	BT No	Information
1	BTT311 x 1	Adjusting Bolt
2	BTP49 x 1	Adjusting Bolt Seal 12x22 ...
3	BTP52 x 1	Plug

Application :
MODUL X-GEN 2 Type

OEM No :
94892, 790-94892



BTH90047

Description :
Caliper Adjusting Mechanism

No	BT No	Information
1	BTT335 x 1	Adjusting Mechanism

Application :
MODUL X-GEN 2 Type

OEM No :
BrakingTech



BTH90048

Description :
 Caliper Adjustment Sleeve (Driven)

Application :
 MODUL X-GEN 2 Type

OEM No :
 CHSK.12

No	BT No	Information
1	BTT336 x1	Adjustment Sleeve



BTH90049

Description :
 Caliper Gear Wheel

Application :
 MODUL X-GEN 2 Type

OEM No :
 SerinFren

No	BT No	Information
1	BTT337 x1	Gear Wheel



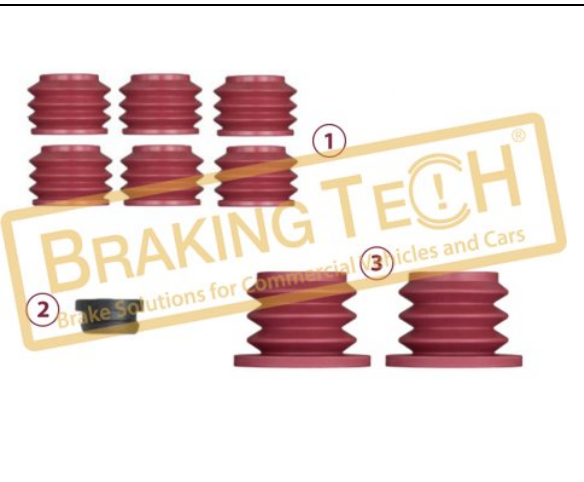
BTH90050

Description :
 Caliper Adjustment Sleeve (Driving)

Application :
 MODUL X-GEN 2 Type

OEM No :
 CHSK.11

No	BT No	Information
1	BTT338 x1	Adjustment Sleeve



BTH90051

Description :
 Caliper Dust Covers&Seals Repair Kit

Application :
 MODUL X-GEN 1 Type

OEM No :
 BrakingTech

No	BT No	Information
1	BTK118 x 2	Tappet Dust Cover 67 mm
2	BTP52 x 1	Plug
3	BTK113 x 6	Guide Pin Dust Cover



BTH90052

Description :
 Caliper Calibration Bolt(with flange)

Application :
 MARK IV (4) TYPE

OEM No :
 BrakingTech

No	BT No	Information
1	BTT339 x 1	Calibration Bolt (With Fl...



BTH90053

Description :
 Caliper Calibration Bolt (with Tappet)

Application :
 MODUL X-GEN 2 Type

OEM No :
 CHSK.7

No	BT No	Information
1	BTT341 x 2	Calibration Bolt



BTH90054

Description :
 Caliper Calibration Bolt(without flange)

Application :
 MODUL X-GEN 1 TYPE (Push plate version)

OEM No :
 BrakingTech

No	BT No	Information
1	BTT340 x 1	Calibration Bolt



BTH90055

Description :
 Caliper Tappet Plate

Application :
 MARK IV (4) Type

OEM No :
 92731

No	BT No	Information
1	BTT342 x 1	Push Plate



BTH90056

Description :
Caliper Roller Bearing

No	BT No	Information
1	BTR33 x 2	Roller Bearings

Application :
SAF Axle,SMB Axle

OEM No :
BrakingTech



BTH90057

Description :
Caliper Roller Bearing

No	BT No	Information
1	BTR34 x 1	Roller Bearing

Application :
MARK IV (4) Type,MODUL X Gen1

OEM No :
BrakingTech



BTH90058

Description :
Caliper Brake Pad Retainer Repair Kit

No	BT No	Information
1	BTT343 x 1	Retainer
2	BTC74 x 1	Screw M10 x 1,5 / 25 mm

Application :
MARK III,MARK IV (4) Type

OEM No :
90673



BTH90058-01

Description :
Disc Brake Pad Retainer Kit

No	BT No	Information
1	BTT343 x 1	Pad Retainer
2	BTSI41-02 x 2	Pad Spring
3	BTC74 x 1	Retainer Bolt M10x1,5/25m ...

Application :
ModulX,Mark,DB22LT

OEM No :
790-94897, 79094897, 91216, S-30560-8, S-30560-12



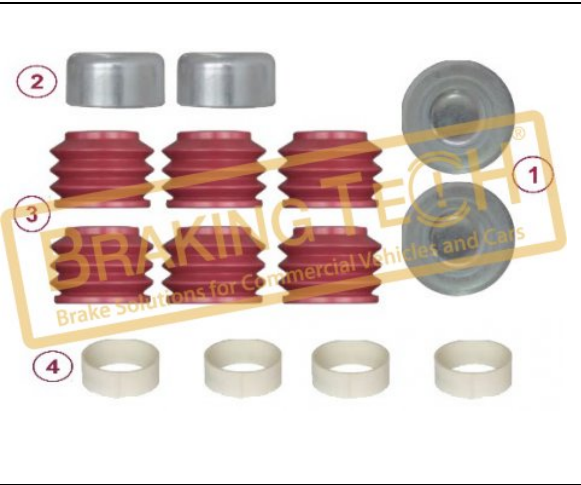
BTH90059

Description :
 Caliper Dust Cover Kit

Application :
 Mark II/III SAUER ACHSEN

OEM No :
 SAF 3434385500, 3434320400, 81658, 87408,
 SMB M91002801

No	BT No	Information
1	BTK165 x 2	Caliper Plug
2	BTP52 x 2	Plug
3	BTC83 x 2	Plug Bolt
4	BTk167 x 2	O-ring



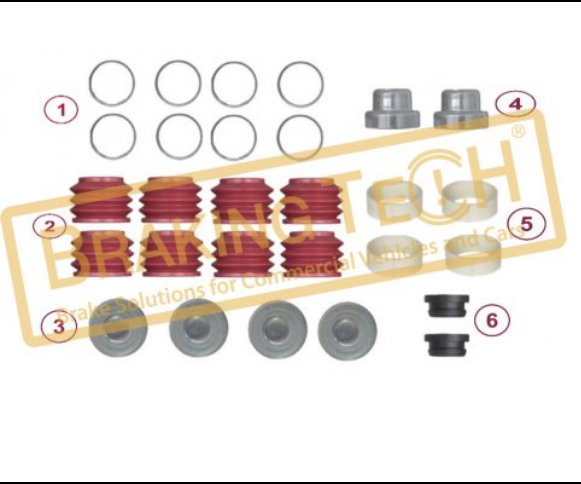
BTH90060

Description :
 Caliper Pin Boot-Cap Quick Service Kit

Application :
 All MODUL X Calipers

OEM No :
 91013, SAF 3434385702, Fruehauf CF104413, SMB
 M91004202

No	BT No	Information
1	BTS81-01 x 2	Steel Cap Ø56x12,5 mm
2	BTS83 x 2	Metal Cap Ø42x22,5mm
3	BTK113 x 6	Guide Pin Dust Cover
4	BTB27 x 4	Guide Pin Bush



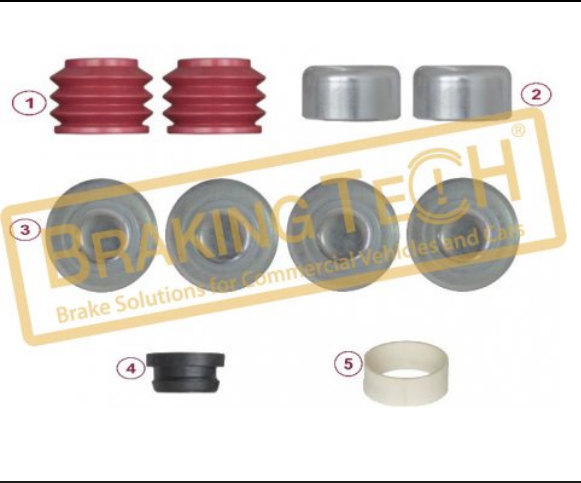
BTH90061

Description :
 Caliper Pin Boot-Cap Quick Service Kit

Application :
 All MODUL X Calipers

OEM No :
 89723, 87680, SAF 3434385401, 03434385401,
 3434385700, SMB M91004201, M91004301,
 Fruehauf CF103854

No	BT No	Information
1	BTS80 x 8	Dust Cover Retainer Ø39, ...
2	BTK113 x 8	Guide Pin Dust Cover
3	BTS81-01 x 4	Steel Cap Ø56x12,5 mm
4	BTS86 x 2	Steel Cap Ø57,5x40,5 mm
5	BTB27 x 4	Guide Pin Bush
6	BTP52 x 2	Plug



BTH90062

Description :
 Service Kit For Mark Series Calipers

Application :
 MARK II - III - IV, Modul X

OEM No :
 91014, SMB M91004302, M91005802

No	BT No	Information
1	BTK113 x 2	Guide Pin Dust Cover
2	BTS83 x 2	Steel Cap Ø42x22,5 mm
3	BTS81-01 x 4	Steel Cap Ø56x12,5 mm
4	BTP52 x 1	Plug
5	BTB27 x 1	Guide Pin Bush



BTH90063

Description :
 Caliper Repair Kit For Modul X Series

Application :
 MODUL X Haldex

OEM No :
 94660, 5021 174 174, SAF 3 434 3854 02,
 3434385601, 3 434 3857 02, 3434385702,
 3434385801, Fruehauf CF104413, SMB
 M91004202

No	BT No	Information
1	BTS81-01 x 4	Steel Cap Ø56x12,5 mm
2	BTK113 x 6	Guide Pin Dust Cover
3	BTP52 x 1	Plug
4	BTS83 x 2	Steel Cap Ø42x22,5 mm
5	BTB27 x 4	Guide Pin Bush



BTH90064

Description :
 Caliper Needle Bearing Set

Application :
 MARK II-III (2-3) Type

OEM No :
 BrakingTech

No	BT No	Information
1	BTR37 x 2	Roller Bearings



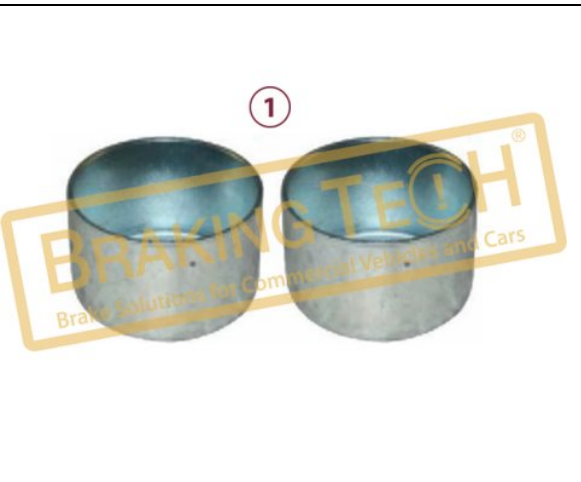
BTH90065

Description :
 Caliper Cap Set

Application :
 MARK II-III (2-3) TYPE

OEM No :
 89927, SAF 3434385600, SMB M91005801

No	BT No	Information
1	BTS86 x 2	Steel Cap Ø57,5x40,5 mm



BTH90066

Description :
 Caliper Cap Set

Application :
 Module X

OEM No :
 91019

No	BT No	Information
1	BTS83 x 2	Metal Tap Ø42x22,5mm



BTH90067

Description :
 Caliper Adjuster Shaft Seals

Application :
 Mark II, Mark III, Mark IV, Module X

OEM No :
 89925

No	BT No	Information
1	BTP49 x 2	Seal Ø16MM
2	BTP52 x 2	Plug



BTH90068

Description :
 Caliper Tappet Dust Cover Kit

Application :
 Modul X-Gen 2 Type, Mark IV

OEM No :
 BrakingTech

No	BT No	Information
1	BTK118 x 2	Dust Cover 67 mm



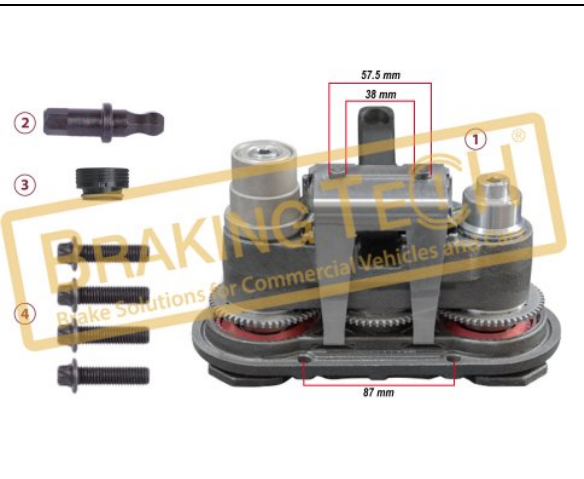
BTH90069

Description :
 Caliper Tappet Dust Cover Kit

Application :
 MARK 2-3(II-III) Type

OEM No :
 BrakingTech

No	BT No	Information
1	BTK112 x 2	Dust Cover 78.5 mm



BTH90070

Description :
 Caliper Mechanism, Piston & Cover Set

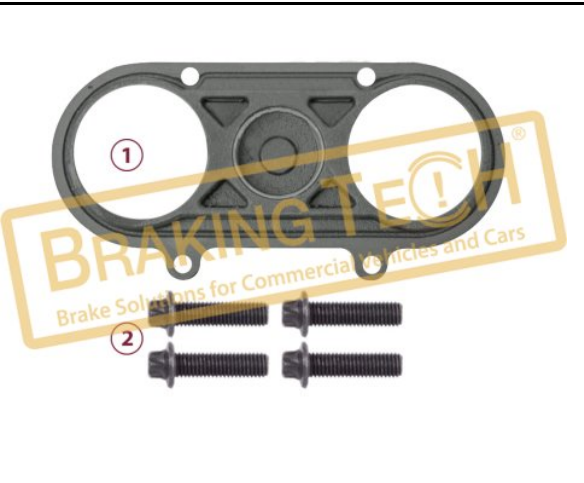
Application :
 Haldex

OEM No :
 89753

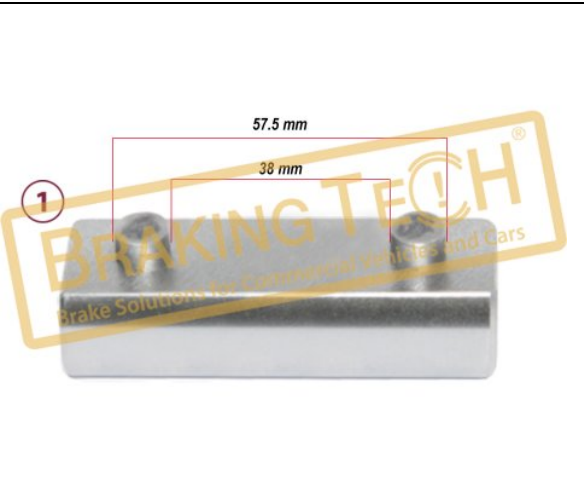
No	BT No	Information
1	BTT523 x 1	Mechanism, Piston & Cover ...
2	BTT311 x 1	Adjusting Bolt
3	BTP52 x 1	Plug
4	BTC67 x 4	Screw M8x 30 mm



BTH90071			
Description :	No	BT No	Information
Push Plate	1	BTT524 x1	Push Plate
Application : : Haldex			
OEM No : 89753			



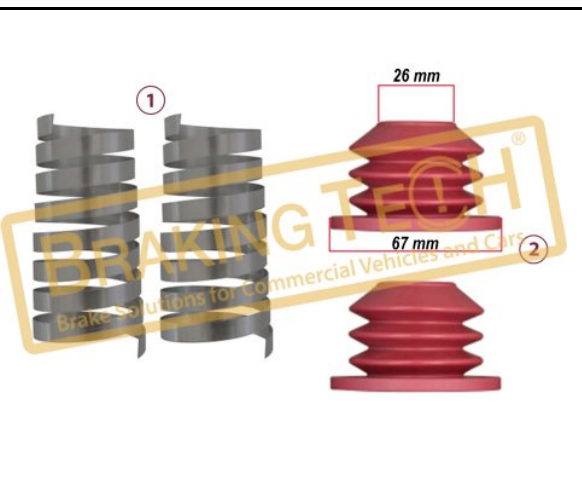
BTH90072			
Description :	No	BT No	Information
Caliper Cover	1	BTT525 x1	Cover
	2	BTC67 x 4	Screw M8x 30 mm
Application : : Haldex			
OEM No : 70207			



BTH90073			
Description :	No	BT No	Information
Lever Pin	1	BTT526 x1	Lever Pin
Application : : Haldex			
OEM No : BT Only			



BTH90074			
Description :	No	BT No	Information
Mechanism Clamp 48 mm	1	BTS165 x1	Clamp 48 mm
Application : : Haldex			



BTH90075

Description :
 Boot & Spring Repair Kit

Application :
 Haldex

OEM No :
 BT Only

No	BT No	Information
1	BTY48 x 2	Protective Spring Ø67 mm
2	BTK168 x 2	Tappet Dust Cover Ø67 x ...



BTH90076

Description :
 Caliper Haldex ModulX Complete

Application :
 SAF,SCHMITZ,SMB,Krone,RENAULT Midlum,VOLVO FL

OEM No :
 91964, 92200, 92503, 1051844, 3080005601



BTH90077

Description :
 Caliper Complete Haldex

Application :
 Modul X2Gen

OEM No :
 BrakingTech



BTH90078

Description :
 Complete Caliper HALDEX

Application :
 MARK IV Type

OEM No :
 Q20516, 92503



BTKW11001

Description :
 Caliper (Brake Chamber) Bellow Seal

Application :
 Special Design for Knorr&Wabco
 BrakeChambers

OEM No :
 SerinFren

No	BT No	Information
1	BTKW11001 x 1	Seal 56,50(O.D)



BTS50001

Description :
 Caliper Mechanism Complete Set

Application :
 ModulT,HALDEX (SBS2220)

OEM No :
 BraKingTech

No	BT No	Information
1	BTT269 x 1	Mechanism Complete



BTS50001-01

Description :
 Caliper Mechanism Set

Application :
 Haldex ,Jost Type,MB Axles
 Trailers,96546/1816200028

OEM No :
 BrakingTech

No	BT No	Information
1	BTT269-01 x 1	Mechanism Complete



BTS50002

Description :
 Caliper Mechanism Plate

Application :
 Modul T-HALDEX (SBS2220)

OEM No :
 BrakingTech

No	BT No	Information
1	BTT240 x 1	Mechanism Plate



BTS50002-01

Description :
 Caliper Mechanism Plate(New Type)

Application :
 Haldex, JOST TYPE, MB Trailer Axles,
 96546/1816200028

OEM No :
 94666

No	BT No	Information
1	BTT240-01 x1	Plate



BTS50003

Description :
 Caliper Calibration Bolt

Application :
 Modul T-HALDEX (SBS2220)

OEM No :
 BrakingTech

No	BT No	Information
1	BTT241 x1	Calibration Bolt



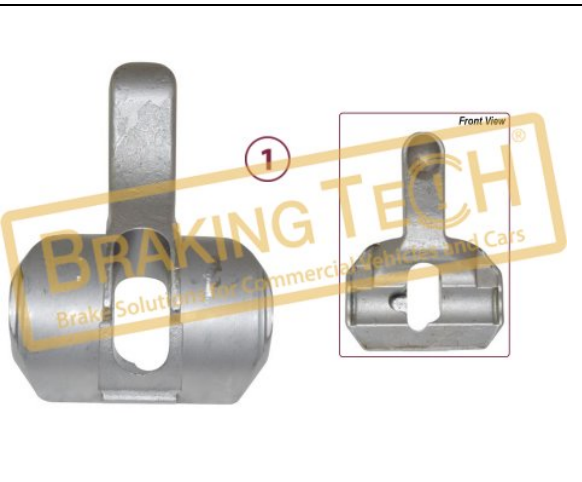
BTS50004

Description :
 Caliper Lever Bearing House

Application :
 Modul T-HALDEX (SBS2220)

OEM No :
 BrakingTech

No	BT No	Information
1	BTT242 x1	Mechanism Bearing House



BTS50005

Description :
 Caliper Lever

Application :
 Gen1-2 DBT22LT SBS 2220

OEM No :
 BrakingTech

No	BT No	Information
1	BTT243 x1	Lever



BTS50006

Description :
Caliper Adjusting Mechanism

Application :
Modul T-HALDEX (SBS2220)

OEM No :
BrakingTech

No	BT No	Information
1	BTT244 x 1	Adjusting Mechanism



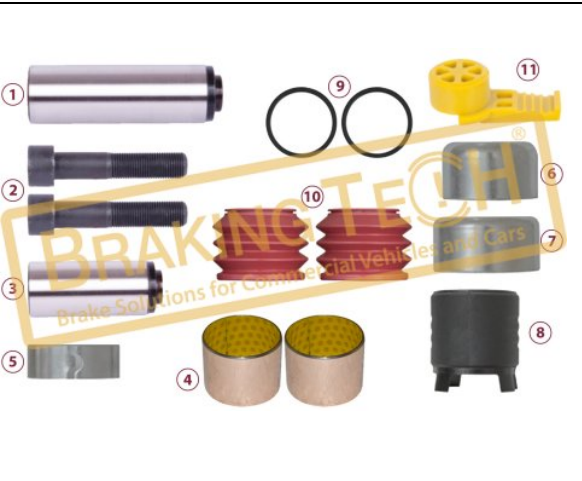
BTS50006-01

Description :
Caliper Adjusting Mechanism

Application :
Modul T-HALDEX (SBS2220)

OEM No :
BrakingTech

No	BT No	Information
1	BTT443 x 1	Adjusting Mechanism



BTS50007

Description :
Caliper Guide and Seal Kit

Application :
KRONE,Gigant,JOST,Kögel,SAF,Schmitz

OEM No :
3434386100, 95397, 03434386100,
3.434.3861.00, 3 434 3861 00, 95054, 550017811,
1964407, 16030004, 703011013, 716080004, JAE
02 504 100 63, 790-95397, 6355949, 550017677,
2092720, 2119425, 2305913, 1173919

No	BT No	Information
1	BTT229 x 1	Guide Pin 35x120mm
2	BTC1 x 2	Screw M16x1.5x80mm
3	BTT228 x 1	Guide Pin 35.5x87mm
4	BTB11 x 2	Bush Ø 35 x 39 / 30 mm
5	BTB26 x 1	Bush Ø39.5 x 36 / 14.5 m ...
6	BTS74 x 1	Metal Cap Ø42 / 26 mm
7	BTS87 x 1	Metal Cap Ø45 / 22 mm
8	BTP45 x 1	Bush (Plastic) 35.7 x 35. ...
9	BTP48 x 2	Plastic Ring
10	BTK80 x 2	Bellow Boot
11	BTP43 x 1	Plastic Tap



BTS50008

Description :
Caliper Roller Bearing Set

Application :
KRONE,Gigant,JOST,Kögel,SAF,Schmitz

OEM No :
BrakingTech

No	BT No	Information
1	BTR18 x 1	Roller Bearing
2	BTT245 x 2	Pin



①

BTS50009

Description :
Caliper Roller Bearing

Application :
KRONE,Gigant,JOST,Kögel,SAF,Schmitz

OEM No :
SerinFren

No	BT No	Information
1	BTR18 x 3	Roller Bearing



①

BTS50010

Description :
Caliper Roller Bearing

Application :
KRONE,Gigant,JOST,Kögel,SAF,Schmitz

OEM No :
BrakingTech

No	BT No	Information
1	BTR17 x 2	Roller Bearing



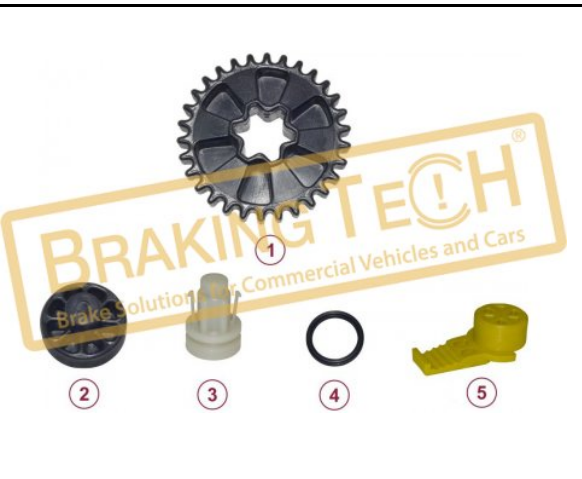
BTS50011

Description :
Caliper Roller Bearing Set

Application :
SBS2220,KRONE,Gigant,JOST,Kögel,SAF,Schmitz

OEM No :
BrakingTech

No	BT No	Information
1	BTR19 x 1	Roller Bearing(plastic)
2	BTR20 x 1	Roller Bearing(metal)
3	BTR21 x 1	Roller Bearing(metal)
4	BTR22 x 1	Roller Bearing(plastic)



BTS50012

Description :
Caliper Plastic Caps Repair Kit

Application :
Modul T-HALDEX (SBS2220)

OEM No :
BrakingTech

No	BT No	Information
1	BTP40 x 1	Plastic Gear
2	BTP39 x 1	Plastic Tap
3	BTP41 x 1	Plastic Gear
4	BTP42 x 1	O-ring
5	BTP43 x 1	Plastic Tap



BTS50013			
Description :	No	BT No	Information
Caliper Mechanism Bellow	1	BTK79 x 1	Boot
Application : : Modul T-HALDEX (SBS2220)			
OEM No : 3434386300			



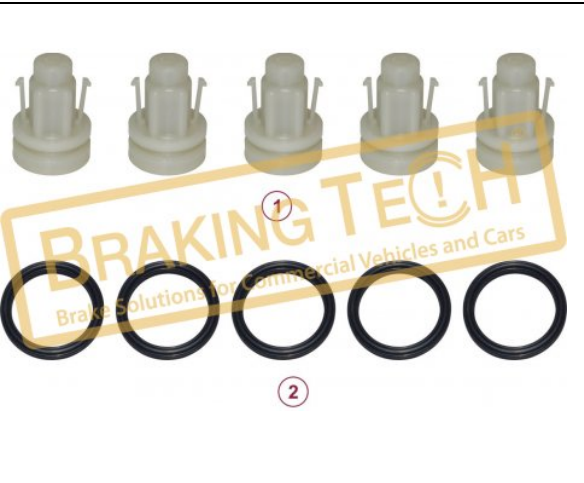
BTS50014			
Description :	No	BT No	Information
Caliper Mechanism Bearing House	1	BTT239 x 1	Bearing House
Application : : Modul T-HALDEX (SBS2220)			
OEM No : BrakingTech			



BTS50015			
Description :	No	BT No	Information
Caliper Mechanism Protection Cap Set	1	BTP39 x 5	Plastic Cap
Application : : SAF-SBS2220(MODUL T-HALDEX) Type			
OEM No : BrakingTech			



BTS50016			
Description :	No	BT No	Information
Caliper Plastic Gear Set	1	BTP40 x 5	Plastic Gear
Application : : Modul T-HALDEX (SBS2220)			
OEM No : 94700			



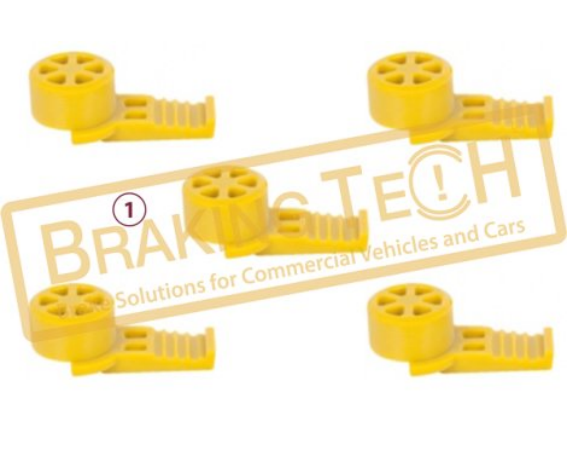
BTS50017

Description :
 Caliper Plastic Adjuster Gear Kit

Application :
 Modul T-HALDEX (SBS2220)

OEM No :
 BrakingTech

No	BT No	Information
1	BTP41 x 5	Plastic Tap
2	BTP42 x 5	O-ring



BTS50018

Description :
 Caliper Plastic Cap Kit

Application :
 Modul T-HALDEX (SBS2220)

OEM No :
 BrakingTech

No	BT No	Information
1	BTP43 x 5	Plastic Tap



BTS50019

Description :
 Caliper Plastic Tap Set

Application :
 SBS2220, KRONE, Gigant, JOST, Kögel, SAF, Schmitz

OEM No :
 BrakingTech

No	BT No	Information
1	BTP44 x 5	Plastic Tap



BTS50020

Description :
 Caliper Brake Pad Retainer Kit

Application :
 Modul T, HALDEX SBS2220

OEM No :
 SerinFren

No	BT No	Information
1	BTS127 x 1	Retainer Spring
2	BTS128 x 1	Retainer



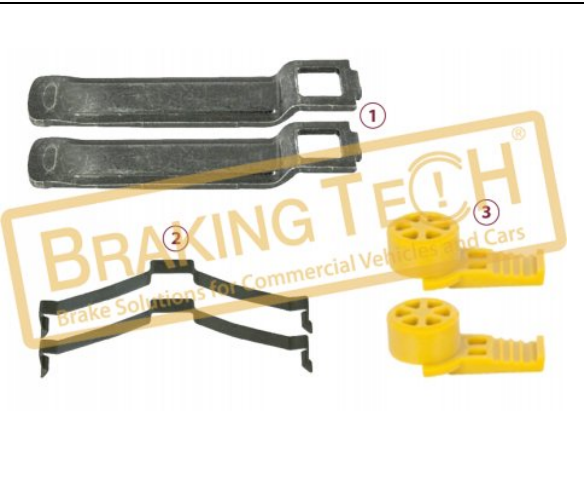
BTS50020-01

Description :
 Caliper Brake Pad Retainer Kit

Application :
 MODUL T,SBS2220, DBT22LT

OEM No :
 790-22116

No	BT No	Information
1	BTS127 x1	Lock Spring
2	BTS128 x1	Pad Retainer
3	BTS141 x2	Retainer Spring



BTS50020-02

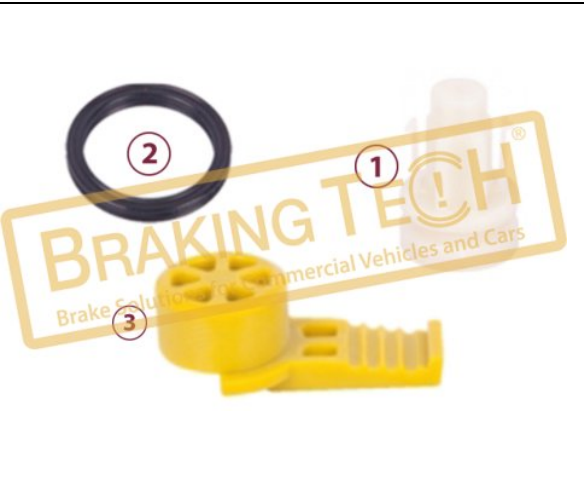
Description :
 Caliper Brake Pad Service Kit

Application :
 Haldex DBT22LT

OEM No :
 790-22117

WVA :
 29195, D1583, 29175

No	BT No	Information
1	BTS128 x 2	Pad Retainer
2	BTS127 x 2	Lock Spring
3	BTP43 x 2	Plastic Tap



BTS50021

Description :
 Caliper Plastic Tap Set(reset shaft)

Application :
 DBT22LT,Krone,JOST,Gigant,Kögel,SAF,Scania,Scl

OEM No :
 SAF 3 434 3862 00, 95398, 3434386200,
 1964408, 550017812, 16030005, 703011014,
 716080005, JAE 02 504 100 07, 6609983,
 550018419, 03434386200, 2119426, 2305914,
 1173930

No	BT No	Information
1	BTP41 x1	Plastic Adjuster
2	BTP42 x1	O-Ring Seal
3	BTP43 x1	Plastic Tap



BTS50022

Description :
 Caliper Complete Repair Set

Application :
 DBT22LT,DBT19 LT,Scania,SAF,Gigant,KRONE,JOST

OEM No :
 SerinFren



BTS50023

Description :
 Caliper Plastic Adjuster Kit

Application :
 MODUL T-HALDEX

OEM No :
 BrakingTech

No	BT No	Information
1	BTP41 x1	Adjuster Gear
2	BTP42 x1	O-Ring Seal
3	BTP40 x1	Plastic Gear
4	BTP43 x1	Plastic Tap



BTS50024

Description :
 Caliper Boot & Tap Kit

Application :
 DBT22LT,Krone,GIGANT,JOST,Schmitz,Kögel,Scan

OEM No :
 95399, SAF 3 434 3863 00, 1964409, 550017813,
 16030006, 703011015, 716080006, JAE 02 504
 100 86, 790-95399, 6609981, 03434386300,
 2092714, 2305915, 1173931

No	BT No	Information
1	BTK79 x1	Boot
2	BTP43 x1	Plastic Tap



BTS50025

Description :
 Caliper Mechanism Repair Kit

Application :
 ModulT,DB22LT

OEM No :
 SerinFren



BTS50026

Description :
 Mechanism Repair Kit

Application :
 Modul T-HALDEX (SBS2220)

No	BT No	Information
1	BTT390 x1	Mechanism Locking Nut
2	BTT389 x1	Mechanism Locking Bush
3	BTP60 x1	Mechanism O-Ring



BTS50027

Description :
 Caliper Plastic Tap Set

Application :
 Modul T

OEM No :
 BrakingTech

No	BT No	Information
1	BTP42 x1	O-Ring Seal
2	BTP43 x1	Plastic Tap
3	BTP41 x1	Plastic Adjuster
4	BTP39 x1	Plastic Cap

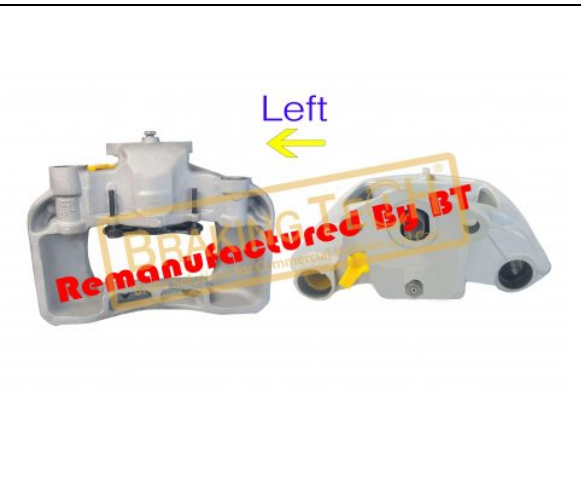


BTS50028

Description :
 Caliper Complete ModuT R/H(Reman)

Application :
 SBS2220 H0,SBS1918 H0

OEM No :
 95621C, 95621, 3080008200, 3080008201, 03080008200, 03080008201, 03080008100, 2092736, 2092739, 71900 1005, 719001005, 719001023, 719001025, 550017648, 550017645, 719001011, 9285420, 96552, JAE 02 504 101 83, JAS 02 104 102 01



BTS50028-01

Description :
 Caliper Complete ModuT L/H(Reman)

Application :
 SBS2220 H0,SBS1918 H0

OEM No :
 3080008200, 03080008200, 03080008100, 2092736, 2092739, 95620, 95620C, 719001022, 719001024, 550017647, 550017644, 719001010, 719001004, 9285421, 3 080 0081 01, 96551, JAE 02 504 100 83, JAS 02 104 101 01



BTS50029

Description :
 Complete Caliper DBT22LT (Right)

Application :
 SAF Trailer

OEM No :
 96546, 94618

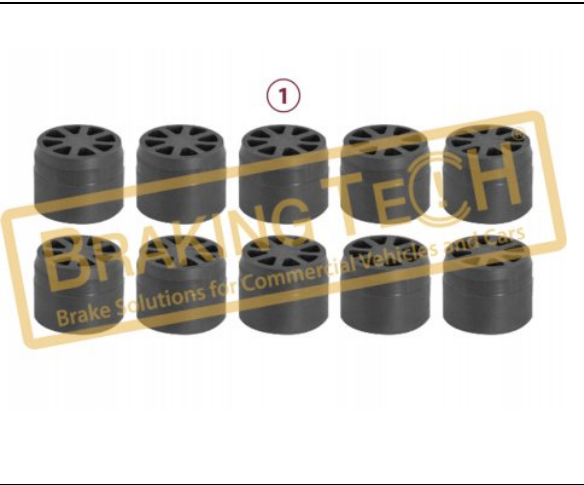


BTS50030

Description :
 Complete Caliper DBT22LT (Left)

Application :
 SAF Trailer

OEM No :
 96546



BTS50031

Description :
 Plastic Cap Kit GEN 2

Application :
 Gen II DBT22LT SBS 2220

OEM No :
 BrakingTech

No	BT No	Information
1	BTP63 x 10	Plastic Plug



BTS50032

Description :
 Caliper Repair Kit GEN 2

Application :
 Gen II DBT22LT SBS 2220

OEM No :
 SerinFren

No	BT No	Information
1	BTT528 x 1	Guide Pin 35 x 118,70 mm
2	BTC1 x 2	Screw M16x 1,5x 80mm
3	BTT529 x 1	Guide Pin 35,50x 86,75 mm
4	BTB11 x 2	Bush Ø35 x 39 / 30 mm
5	BTB26 x 1	Bush Ø39,5 x 36 / 14,5 m ...
6	BTS74 x 1	Metal Cap Ø42 / 26 mm
7	BTS87 x 1	Metal Cap Ø45 / 22 mm
8	BTP45 x 1	Oval Bush (Plastic)
9	BTP48 x 2	Plastic Ring
10	BTK80 x 2	Bellow



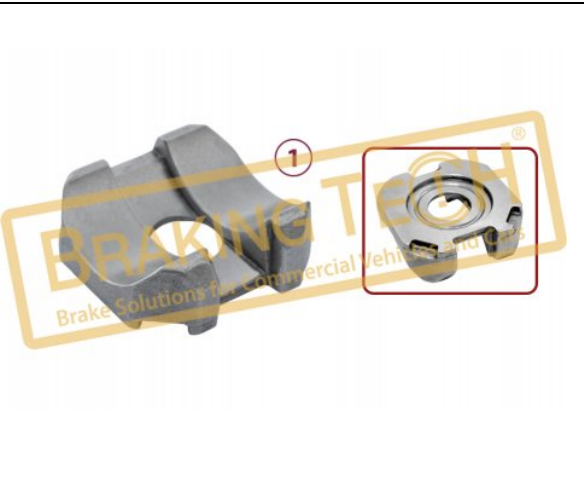
BTS50033

Description :
 Caliper Adjusting Mechanism

Application :
 GEN II Type

OEM No :
 BrakingTech

No	BT No	Information
1	BTT530 x 1	Adjusting Mechanism



BTS50034

Description :
 Caliper Lever Bearing House

Application ::
 GEN II Type

OEM No :
 BrakingTech

No	BT No	Information
1	BTT531 x 1	Bearing House



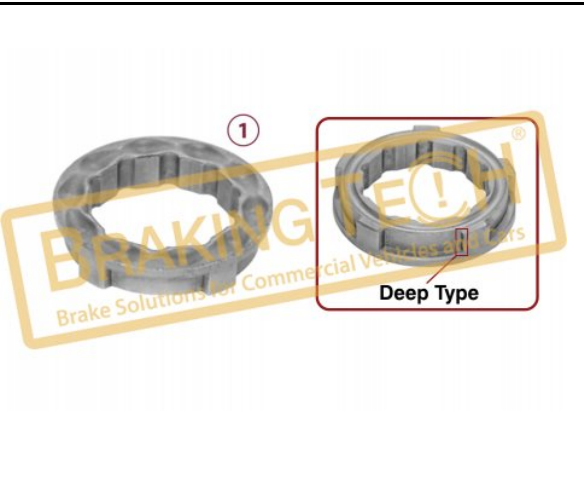
BTS50035

Description :
 Caliper Calibration Bolt

Application ::
 GEN II Type

OEM No :
 BrakingTech

No	BT No	Information
1	BTT532 x 1	Calibration Bolt



BTS50036

Description :
 Caliper Mechanism Bearing House

Application ::
 GEN II Type

OEM No :
 BrakingTech

No	BT No	Information
1	BTT533 x 1	Bearing House (Deep Type)...



BTS50037

Description :
 Caliper Brake Pad Retainer GEN 2

Application ::
 Gen II DBT22LT

OEM No :
 BrakingTech

No	BT No	Information
1	BTS128-01 x 1	Pad Retainer(New)
2	BTS127 x 1	Lock Spring



BTS50037-01

Description :
 Caliper Brake Pad Accessory Kit GEN 2

Application : :
 Gen II DBT22LT

OEM No :
 790-22116

No	BT No	Information
1	BTS128-01 x 1	Pad Retainer(New)
2	BTS141-01 x 2	Retainer Spring(New)
3	BTS127 x 1	Lock Spring
4	BTP43 x 1	Plastic Tap



BTS50037-02

Description :
 Caliper Brake Pad Service Kit

Application : :
 Caliper Brake Pad Service Kit

OEM No :
 BrakingTech



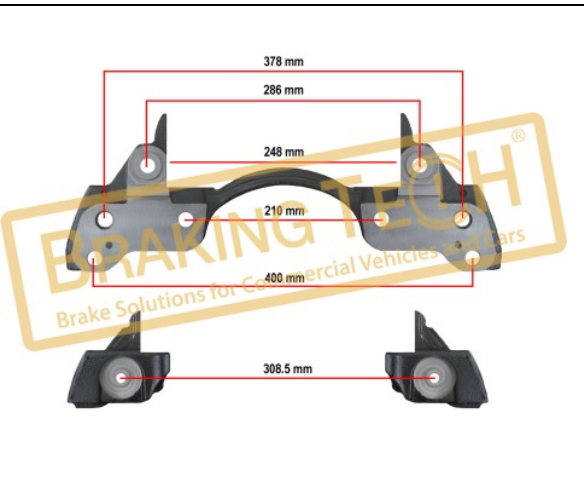
BTS50038

Description :
 Caliper Mechanism Complete Set

Application : :
 GEN II Type

OEM No :
 BrakingTech

No	BT No	Information
1	BTT534 x 1	Mechanism Complete (GEN I ...



BTC0101108

Description :
 Caliper Carrier Haldex(MODUL X)

Application : :
 22.5" Rim,Saf,MODUL X GEN 2,Trailer Axle

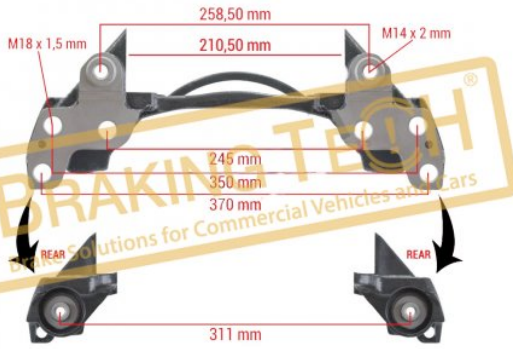
OEM No :
 90636, 92502

BTC0101220

Description :
 Caliper Carrier Haldex(MODUL X)

Application : :
 MODUL X ,Trailer Axle 22.5"

OEM No :
 BrakingTech

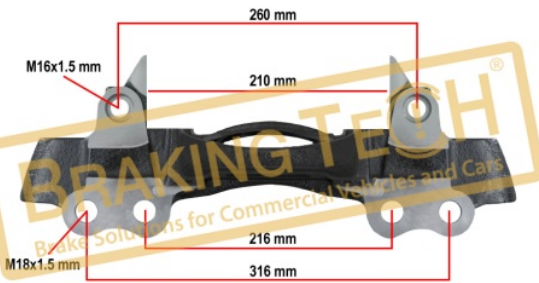


BTC010192

Description :
 Caliper Carrier Haldex(ModulT)

Application : :
 MODUL T (SAF)

OEM No :
 94861



BRAKING TECH®

Brake Solutions for Commercial Vehicles and Cars

www.brakingtech.com

www.serinfren.com



/BrakingTech



/SerinoTomotiv.Oğuz



/Oğuz Serin



/brakingtech



/BrakingTech-Serin Otomotiv



SERIN

Yedek Parça Otomotiv
San.Tic. A.Ş.

Kemalpaşa Mah. 7105 Sokak No:4 35060 Pınarbaşı
Bornova / İzmir / TURKEY



export@brakingtech.com



+90 232 478 5657



+90 232 478 5658